

ZLT-WV15

High Speed Computerized Chain Stitch
Multi-needle Quilting Machine



Original Panasonic
Servo System



Multiple Operating
Language



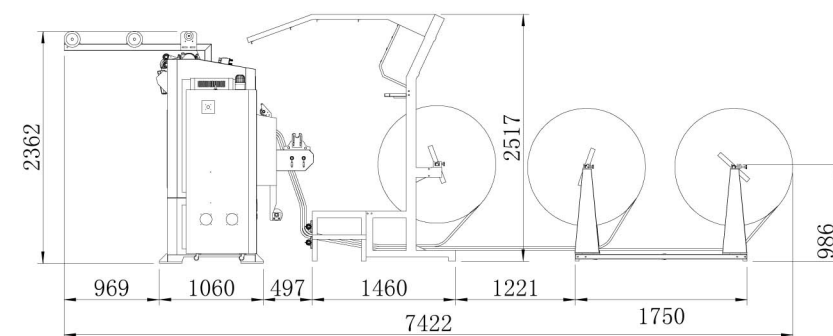
Chain Stitch



- 1 Full servo motor driving system. Instead of using two servo motors + one regular motor on the regular models, it is replaced by two servo motors + one large power servo motor in this high-end model.
- 2 New generation of quilting system enable the machine to work at maximum 1400 rpm, and at the same time with higher accuracy.

- 3 0.5 inch needle space and automatic slitting system integrated in the machine, enables the machine to produce some kinds of mattress border in massive scale and some unique patterns that can never be made on a regular machine.
- 4 With function of Continuous and Tack & Jump Quilting, automatic thread cutting, safety protection and all other functions that a regular machine have.

ZOLYTECH INSTALLATION LAYOUT



ZOLYTECH TECHNICAL PARAMETERS

Dimension (L×W×H)	5400×1650×2360mm
Weight	5800kg
Spindle speed	600-1400rpm
Production speed	60-300m/h
Stitch size	3-8mm
Needle size	24/180,23/160,22/140,21/130
Space between needle rows	(50.8,76.2,127) 5"、(76.2,76.2,152.4) 6"
Space between needles	12.7/25.4mm
Max horizontal movement	304.8mm
Quil twidth	2450mm
Quilting thickness	≤80mm
Voltage	380V/220V 50Hz/60Hz
Power	11kW

ZOLYTECH PATTEN COLLECTION



ZOLYTECH MACHINE DETAILS

