

ZLT-DZI

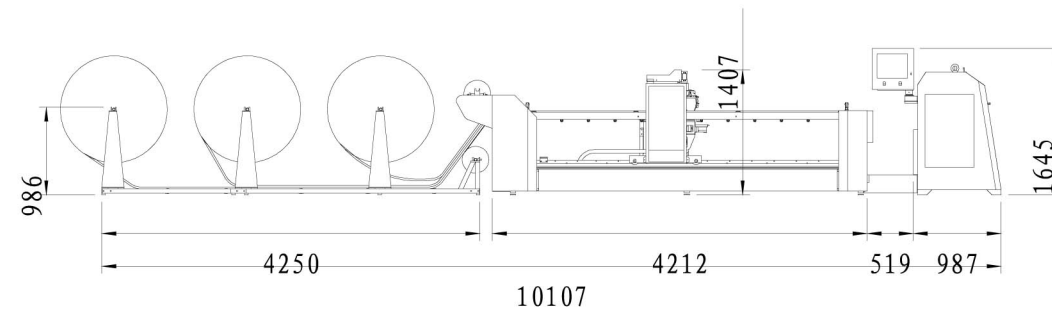
Computerized Single Needle Quilting Machine

-  Original Panasonic Servo System
-  Multiple Operating Language
-  Super Large Hook



- 1 Equip with original Durkopp Adler sewing head and large rotary hook, max speed up to 3000 rpm.
- 2 Windows operating system, as easy as your personal computer.
- 3 Real time data protection, in case of sudden power cut.
- 4 Able to quilt any design. With large memory, able to store more than 100 thousand of patterns.
- 5 Able to adjust to press foot height according to the material thickness.
- 6 With function of: continuous material feeding, auto thread trimming, automatically stop when thread breaking, automatically cut into proper size after quilting.

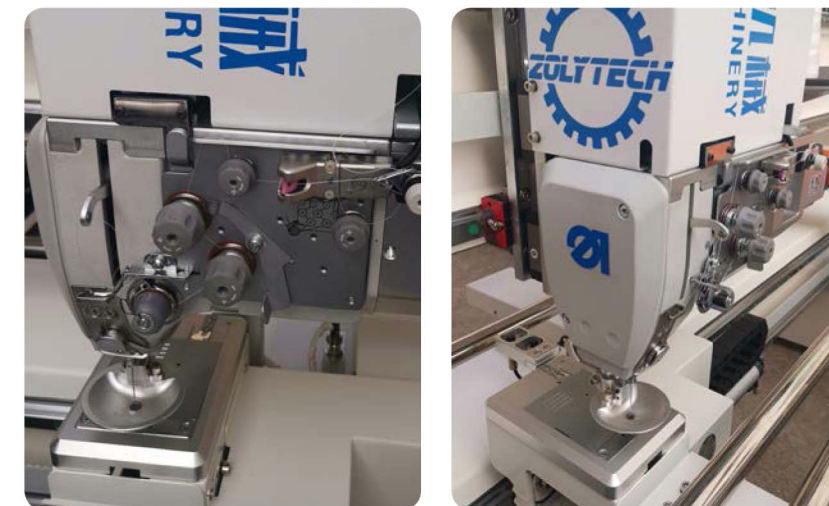
ZOLYTECH INSTALLATION LAYOUT



ZOLYTECH TECHNICAL PARAMETERS

Dimension (L×W×H)	10100×3800×1650mm
Weight	3000kg
Quilt width	≤2400mm
Rotation speed	3000rpm
Production speed	70-200m/h
Stitch size	2-6mm
Power	8.0kW
Voltage	380V/220V 50Hz/60Hz
Quilting thickness	≤80mm

ZOLYTECH MACHINE DETAILS



ZOLYTECH PATTEN COLLECTION

